

The United States
Biathlon Association

RIFLE SAFETY
CERTIFICATION PROGRAM

3rd Edition 2014
This booklet belongs to

This page left blank.

USBA # _____

who has successfully completed the
Rifle Safety Certification Program

On: _____

Cert # _____

Certified by: _____

Signed: _____

The United States
Biathlon Association

RIFLE SAFETY
CERTIFICATION PROGRAM

3rd Edition 2014
This booklet belongs to

This page left blank.

USBA # _____

who has successfully completed the
Rifle Safety Certification Program

On: _____

Cert # _____

Certified by: _____

Signed: _____

Competency Check List

The candidate has successfully completed the following:

(Tester: Please initial each number)

- _____ 1. Understands and can identify parts of a biathlon competition rifle.
- _____ 2. Understands how to clean and store rifle.
- _____ 3. Is familiar with the rifle bolt and its function.
- _____ 4. Understands USBA rules.
- _____ 5. Understands IBU rules.
- _____ 6. Successfully demonstrated range procedure, including dealing with various malfunctions and difficulties.

Competency Check List

The candidate has successfully completed the following:

(Tester: Please initial each number)

- _____ 1. Understands and can identify parts of a biathlon competition rifle.
- _____ 2. Understands how to clean and store rifle.
- _____ 3. Is familiar with the rifle bolt and its function.
- _____ 4. Understands USBA rules.
- _____ 5. Understands IBU rules.
- _____ 6. Successfully demonstrated range procedure, including dealing with various malfunctions and difficulties.

8.6 Continued

8.6.3 No Time Adjustment

There will be no time adjustment for repairing or exchanging a rifle or obtaining a spare magazine or rounds.

8.6.4 Response by Range Officials

All range officials must be alert so that they notice a raised hand or a yell by a competitor asking for spare rounds or rifle exchange. Range officials must react with a sense of urgency and move quickly to minimize the time required to bring the rounds or to exchange the rifle.

Competitor's Responsibility During Competition

The International Biathlon Union (IBU) is the international governing body for the sport of biathlon. IBU Biathlon competition rules will apply to all biathlon events whenever possible. Some local and regional events will not be able to apply all rules due to the facility in use and number of support personnel. All **IBU rules** that apply to rifle safety, **USBA Open Bolt Policy**, and any special instructions issued by the event organizers and jury shall apply for events conducted under the guidance of the USBA.

8.6 Continued

8.6.3 No Time Adjustment

There will be no time adjustment for repairing or exchanging a rifle or obtaining a spare magazine or rounds.

8.6.4 Response by Range Officials

All range officials must be alert so that they notice a raised hand or a yell by a competitor asking for spare rounds or rifle exchange. Range officials must react with a sense of urgency and move quickly to minimize the time required to bring the rounds or to exchange the rifle.

Competitor's Responsibility During Competition

The International Biathlon Union (IBU) is the international governing body for the sport of biathlon. IBU Biathlon competition rules will apply to all biathlon events whenever possible. Some local and regional events will not be able to apply all rules due to the facility in use and number of support personnel. All **IBU rules** that apply to rifle safety, **USBA Open Bolt Policy**, and any special instructions issued by the event organizers and jury shall apply for events conducted under the guidance of the USBA.

Function of Ammunition and Rifle

The .22 caliber, long rifle rimfire (standard velocity) ammunition used in biathlon competition is very stable and safe to store and transport. It can be set off by a sharp blow to the rim or intense heat. When not under pressure, the results will be a popping noise and the brass and bullet separating with little force or velocity.

The rifle is designed to hold the cartridge in the chamber by means of a bolt and locking lugs. The firing pin is housed in the bolt and held in the rearward cocked position by the trigger sear. When the trigger is pulled, the sear releases the firing pin, allowing it to move forward under force from the firing pin spring.

The front of the firing pin protrudes through a small hole in the face of the bolt and strikes the cartridge rim. This sharp blow detonates the priming compound, sending flames into and igniting the powder grains. The burning powder generates gases, exerting pressure equally in all directions, as they expand. Following the path of least resistance, the bullet is pushed forward into the rifle bore, down the barrel and out the muzzle. Rifling in the barrel causes the bullet to spin in a clockwise direction as it travels in the direction the muzzle is pointed.

If the muzzle is obstructed by anything, such as dirt or snow, the pressure buildup can result in gas blowback through the bolt if the cartridge case ruptures, or a bulge in the barrel.

Function of Ammunition and Rifle

The .22 caliber, long rifle rimfire (standard velocity) ammunition used in biathlon competition is very stable and safe to store and transport. It can be set off by a sharp blow to the rim or intense heat. When not under pressure, the results will be a popping noise and the brass and bullet separating with little force or velocity.

The rifle is designed to hold the cartridge in the chamber by means of a bolt and locking lugs. The firing pin is housed in the bolt and held in the rearward cocked position by the trigger sear. When the trigger is pulled, the sear releases the firing pin, allowing it to move forward under force from the firing pin spring.

The front of the firing pin protrudes through a small hole in the face of the bolt and strikes the cartridge rim. This sharp blow detonates the priming compound, sending flames into and igniting the powder grains. The burning powder generates gases, exerting pressure equally in all directions, as they expand. Following the path of least resistance, the bullet is pushed forward into the rifle bore, down the barrel and out the muzzle. Rifling in the barrel causes the bullet to spin in a clockwise direction as it travels in the direction the muzzle is pointed.

If the muzzle is obstructed by anything, such as dirt or snow, the pressure buildup can result in gas blowback through the bolt if the cartridge case ruptures, or a bulge in the barrel.

8.6 Continued

8.6.2.1 Reserve Rifle

Rifles that have been damaged during the competition, or that malfunction for technical reasons to such an extent that they cannot be used to continue the competition, may be exchanged for a team reserve rifle that has been inspected and marked at the equipment check and deposited by the team in the designated reserve rifle rack on the range before the competition. The competitor must then continue the competition with the reserve rifle.

8.6.2.2 Rifle/Magazine/Ammunition Exchange Procedure

If a competitor's rifle has been damaged or a magazine lost on the course, the competitor may ski to the team reserve rifle in the rack on the range, prior to going to the shooting lane, and exchange their rifle or replace their magazine, and then continue to their shooting lane.

During shooting competitors must indicate that their rifle needs to be exchanged by raising their hand. When a range official responds, the competitors must point to their rifle and say "Rifle" and the name of their NF loudly. The range official will obtain the team's spare rifle from the designated rifle rack and bring it to the competitors.

8.6 Continued

8.6.2.1 Reserve Rifle

Rifles that have been damaged during the competition, or that malfunction for technical reasons to such an extent that they cannot be used to continue the competition, may be exchanged for a team reserve rifle that has been inspected and marked at the equipment check and deposited by the team in the designated reserve rifle rack on the range before the competition. The competitor must then continue the competition with the reserve rifle.

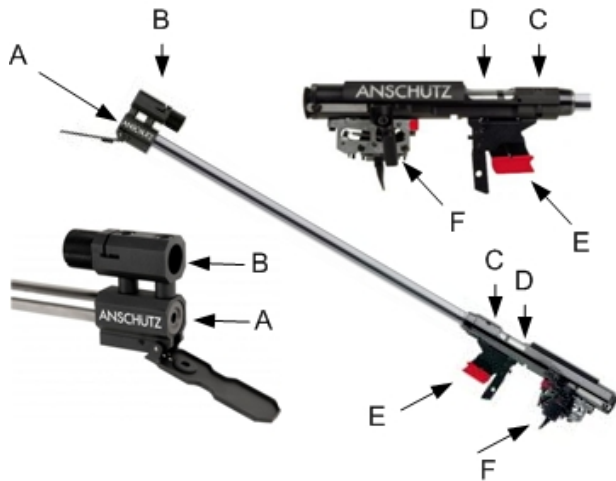
8.6.2.2 Rifle/Magazine/Ammunition Exchange Procedure

If a competitor's rifle has been damaged or a magazine lost on the course, the competitor may ski to the team reserve rifle in the rack on the range, prior to going to the shooting lane, and exchange their rifle or replace their magazine, and then continue to their shooting lane.

During shooting competitors must indicate that their rifle needs to be exchanged by raising their hand. When a range official responds, the competitors must point to their rifle and say "Rifle" and the name of their NF loudly. The range official will obtain the team's spare rifle from the designated rifle rack and bring it to the competitors.

Rifle and Ammunition Parts
Anschutz 1827 Fortner - (not all parts shown)

1. Barrel Assembly
 - A. Muzzle
 - B. Front sight w/snow cover
 - C. Chamber
 - D. Bolt (shown closed)
 - E. Magazine (shown inserted)
 - F. Trigger group



8.6 MISFIRES, LOST ROUNDS/MAGAZINES AND DAMAGED RIFLES

8.6.1 Misfires and Lost Rounds/ Magazines and Damaged Rifles

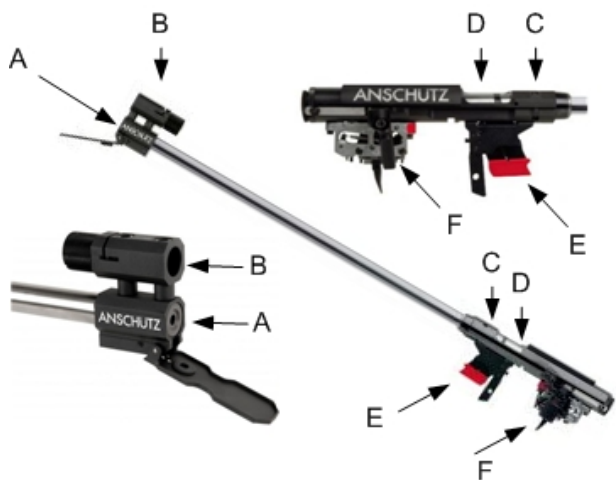
Misfired or lost rounds, or magazines, may be replaced by competitors themselves if they are carrying spare rounds or magazines. If they are not carrying spare rounds or magazines, competitors may obtain replacement rounds or magazines from a range official by raising a hand and loudly saying "Ammunition" and the name of their NF. The range official who responds will get the spare rounds from the team's reserve rifle or from the team's support staff behind the range and deliver them to the competitor. Competitors are permitted to receive ammunition and magazines on the course as well.

8.6.2 Damaged Rifles

If a competitor's rifle needs to be repaired, the competitor may do the repairs or may accept assistance, but only from the competition armorer or a range official. If the rifle cannot be made functional, it may be exchanged for the team's reserve rifle.

Rifle and Ammunition Parts
Anschutz 1827 Fortner - (not all parts shown)

1. Barrel Assembly
 - A. Muzzle
 - B. Front sight w/snow cover
 - C. Chamber
 - D. Bolt (shown closed)
 - E. Magazine (shown inserted)
 - F. Trigger group



8.6 MISFIRES, LOST ROUNDS/MAGAZINES AND DAMAGED RIFLES

8.6.1 Misfires and Lost Rounds/ Magazines and Damaged Rifles

Misfired or lost rounds, or magazines, may be replaced by competitors themselves if they are carrying spare rounds or magazines. If they are not carrying spare rounds or magazines, competitors may obtain replacement rounds or magazines from a range official by raising a hand and loudly saying "Ammunition" and the name of their NF. The range official who responds will get the spare rounds from the team's reserve rifle or from the team's support staff behind the range and deliver them to the competitor. Competitors are permitted to receive ammunition and magazines on the course as well.

8.6.2 Damaged Rifles

If a competitor's rifle needs to be repaired, the competitor may do the repairs or may accept assistance, but only from the competition armorer or a range official. If the rifle cannot be made functional, it may be exchanged for the team's reserve rifle.

8.5 IBU SAFETY REGULATIONS (continued)

8.5.4 Removal of Rifle on the Range

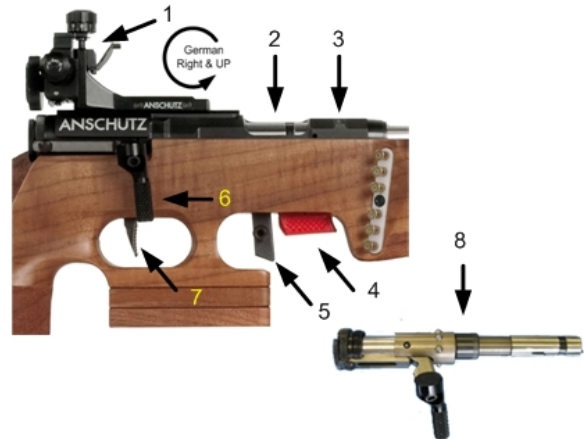
Competitors may not remove a strap of their rifle carrying harness from their shoulder before they have reached the shooting lane from which they will be shooting. They must cross the lane marking line with both feet and lay both ski poles on the ground prior to removing their rifle from the carrying position.

8.5.5 Safety at the Finish

At all IBU competitions there must be one or more official(s) at the end of the finish area to open the rifle action of every competitor. This check may only be performed when the rifles are pointing upwards. At the same time, the official will inspect the cartridge case ejected from the chamber. If this safety check is not done, the competitors must do it themselves. All ammunition must be removed from the stock and the magazines.

II. Action

1. Rear Sight group
2. Bolt (shown closed)
3. Chamber
4. Magazine (inserted)
5. Magazine release
6. Bolt Handle
7. Trigger (shown on next page)
8. Bolt assembly



8.5 IBU SAFETY REGULATIONS (continued)

8.5.4 Removal of Rifle on the Range

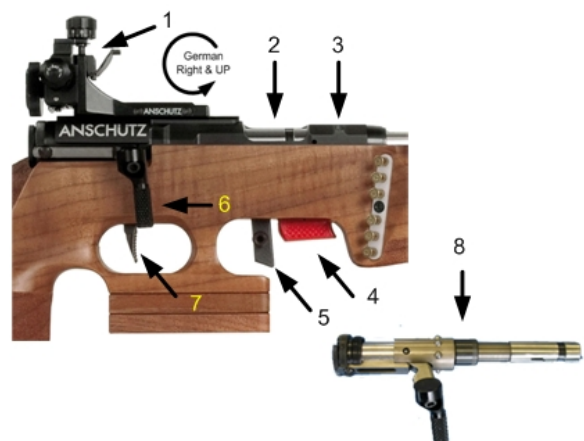
Competitors may not remove a strap of their rifle carrying harness from their shoulder before they have reached the shooting lane from which they will be shooting. They must cross the lane marking line with both feet and lay both ski poles on the ground prior to removing their rifle from the carrying position.

8.5.5 Safety at the Finish

At all IBU competitions there must be one or more official(s) at the end of the finish area to open the rifle action of every competitor. This check may only be performed when the rifles are pointing upwards. At the same time, the official will inspect the cartridge case ejected from the chamber. If this safety check is not done, the competitors must do it themselves. All ammunition must be removed from the stock and the magazines.

II. Action

1. Rear Sight group
2. Bolt (shown closed)
3. Chamber
4. Magazine (inserted)
5. Magazine release
6. Bolt Handle
7. Trigger (shown on next page)
8. Bolt assembly



8.5 IBU SAFETY REGULATIONS (continued)

8.5.2.1 Safety Check on the Range after Shooting

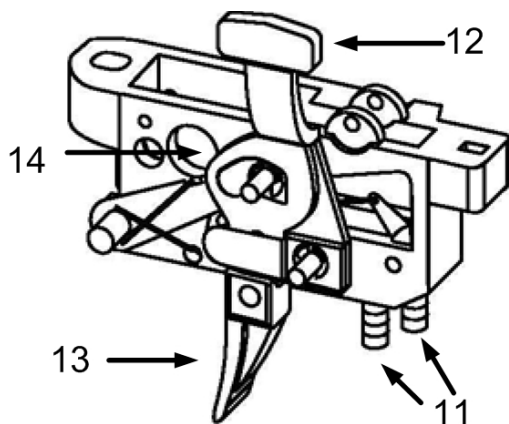
Rifles must be unloaded after each shooting bout - that is, no round may be left in the chamber or in the inserted magazine. However, competitors are permitted to leave the cartridge case in the chamber and the empty magazine in the rifle after the last shot. At the end of training, competitors must perform a safety check before leaving the shooting range by opening the bolt and removing the inserted magazine, with the barrel pointed toward the target or upward. Competitors must also remove all ammunition from both the stock and the magazines before leaving the shooting range.

8.5.3 Aimed Shots

All shots must be aimed and fired at the targets only.

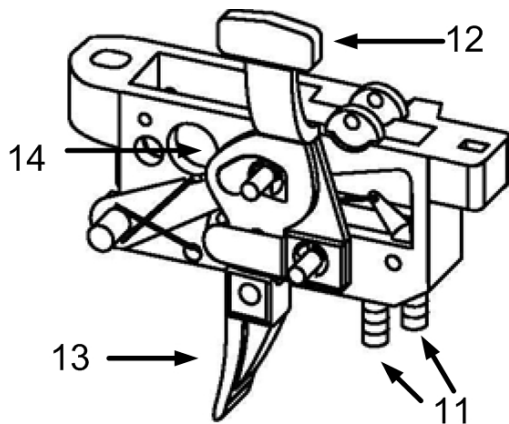
Trigger Assembly

11. Adjustment Screws (Trigger Weight)
12. Safety Lever
13. Adjustable Trigger Blade
14. Adjustable Trigger Cam



Trigger Assembly

11. Adjustment Screws (Trigger Weight)
12. Safety Lever
13. Adjustable Trigger Blade
14. Adjustable Trigger Cam



8.5 IBU SAFETY REGULATIONS (continued)

8.5.2.1 Safety Check on the Range after Shooting

Rifles must be unloaded after each shooting bout - that is, no round may be left in the chamber or in the inserted magazine. However, competitors are permitted to leave the cartridge case in the chamber and the empty magazine in the rifle after the last shot. At the end of training, competitors must perform a safety check before leaving the shooting range by opening the bolt and removing the inserted magazine, with the barrel pointed toward the target or upward. Competitors must also remove all ammunition from both the stock and the magazines before leaving the shooting range.

8.5.3 Aimed Shots

All shots must be aimed and fired at the targets only.

8.5 IBU SAFETY REGULATIONS

8.5.1 General

Shooting is only permitted on the shooting range, during officially authorized times. Making rifle movements that might endanger others, or that may be perceived by others as dangerous, is forbidden. The rifle muzzle must be over the forward edge of the shooting ramp (= firing line) from the beginning to the end of the shooting bout. When the range is open for shooting, no one is permitted to be forward of that line. TV crew members and photographers must take responsibility for their own safety if they enter this area. At all times, competitors will be responsible for the safety of their actions and rifles.

8.5.2 Loading and Unloading

Rifles may be loaded and unloaded only with the barrel pointing in the direction of the targets or up. Inserting a magazine containing bullets into the rifle is also part of the loading procedure. When moving from one shooting lane to another, competitors must first unload their rifle and place the rifle on their back in the normal carrying position.

8.5 IBU SAFETY REGULATIONS

8.5.1 General

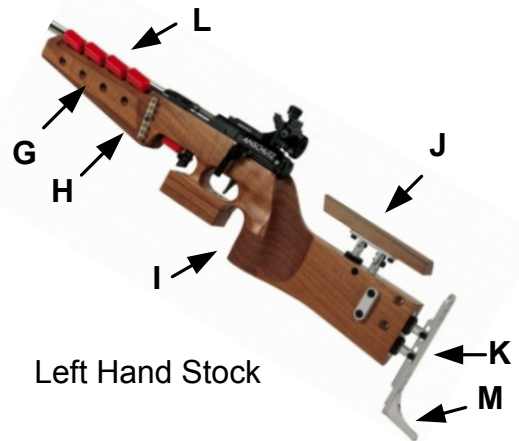
Shooting is only permitted on the shooting range, during officially authorized times. Making rifle movements that might endanger others, or that may be perceived by others as dangerous, is forbidden. The rifle muzzle must be over the forward edge of the shooting ramp (= firing line) from the beginning to the end of the shooting bout. When the range is open for shooting, no one is permitted to be forward of that line. TV crew members and photographers must take responsibility for their own safety if they enter this area. At all times, competitors will be responsible for the safety of their actions and rifles.

8.5.2 Loading and Unloading

Rifles may be loaded and unloaded only with the barrel pointing in the direction of the targets or up. Inserting a magazine containing bullets into the rifle is also part of the loading procedure. When moving from one shooting lane to another, competitors must first unload their rifle and place the rifle on their back in the normal carrying position.

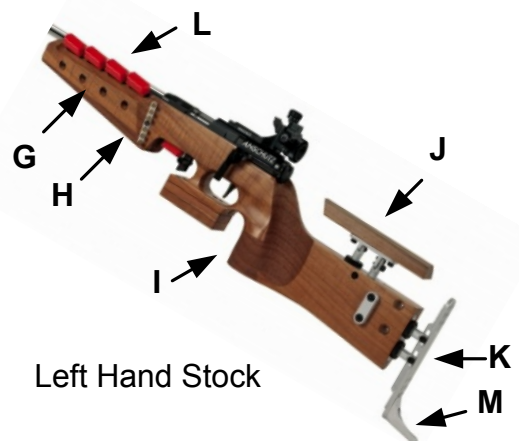
III. Stock

- G. Fore-end
- H. Hand Stop/Sling Rail (inset into Fore-end)
- I. Pistol Grip
- J. Cheek Piece
- K. Butt
- L. Magazine Cassette
- M. Butt Hook



III. Stock

- G. Fore-end
- H. Hand Stop/Sling Rail (inset into Fore-end)
- I. Pistol Grip
- J. Cheek Piece
- K. Butt
- L. Magazine Cassette
- M. Butt Hook



IV. Magazine

- N. Follower
- O. Spring (internal)
- P. Base (with Relay rounds)



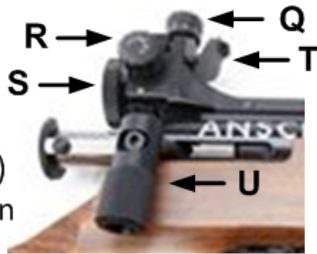
15. Rifles must be unloaded after each shooting bout - that is, no round may be left in the chamber or in the inserted magazine

At the end of training, athletes must perform a safety check before leaving the shooting range by opening the bolt and removing the inserted magazine. Athletes must also remove all ammunition from both the stock and all the magazines before leaving the shooting range

V. Ammunition is 22 caliber rim fire. The base of the cartridge contains a primer. Any misfired round can go off. Give all misfired rounds to the Range Officer or a rifle coach.

VI. Rear Sight

- Q. Elevation knob
- R. Windage Knob
- S. Aperture
- T. Snow cover (open)
- U. Bolt handle (shown open)



IV. Magazine

- N. Follower
- O. Spring (internal)
- P. Base (with Relay rounds)



15. Rifles must be unloaded after each shooting bout - that is, no round may be left in the chamber or in the inserted magazine

At the end of training, athletes must perform a safety check before leaving the shooting range by opening the bolt and removing the inserted magazine. Athletes must also remove all ammunition from both the stock and all the magazines before leaving the shooting range

V. Ammunition is 22 caliber rim fire. The base of the cartridge contains a primer. Any misfired round can go off. Give all misfired rounds to the Range Officer or a rifle coach.

VI. Rear Sight

- Q. Elevation knob
- R. Windage Knob
- S. Aperture
- T. Snow cover (open)
- U. Bolt handle (shown open)



Biathlon Rifle Range Terminology

'Cease Fire'	Stop shooting, clear rifle. Can be given by anyone who sees any unsafe situation.
'Clear Rifle'	Bolt open, no round in the chamber, remove magazine.
Firing Line	Area designated to shoot from with numbered positions. No one goes forward of the firing line unless 'CEASE FIRE' or 'Range Closed' command is given.
Firing Point	A numbered position on the firing line from which a competitor shoots at the correspondingly numbered target.
Target Line	Area where targets are set up.
Down Range	Area in front of the firing line in the direction of the targets.
Prone	Shooting position lying down.
Standing	Shooting position standing up. (also called OFFHAND)

Biathlon Rifle Range Terminology

'Cease Fire'	Stop shooting, clear rifle. Can be given by anyone who sees any unsafe situation.
'Clear Rifle'	Bolt open, no round in the chamber, remove magazine.
Firing Line	Area designated to shoot from with numbered positions. No one goes forward of the firing line unless 'CEASE FIRE' or 'Range Closed' command is given.
Firing Point	A numbered position on the firing line from which a competitor shoots at the correspondingly numbered target.
Target Line	Area where targets are set up.
Down Range	Area in front of the firing line in the direction of the targets.
Prone	Shooting position lying down.
Standing	Shooting position standing up. (also called OFFHAND)

6. On the command "**Cease Fire**", stop shooting and unload your rifle at once.

7. Never handle a rifle on the firing line when someone is down range.

8. When dry firing only point the muzzle in a safe direction.

9. If you see an unsafe act, bring it to the attention of the individual involved and a range official.

10. Store your rifle and ammunition separately out of reach of children.

11. Check the barrel and action of your rifle before using it.

12. No horseplay on the range.

13. Do not leave your rifle unattended in a public area.

14. **USBA Open Bolt Rule** - It is USBA policy for the rifle bolt to be open (bolt handle completely to the rear) once the rifle is removed from its carrying case or taken off the competitor's back. This includes anytime the rifle is left unattended in a rifle rack or lying on the ground or snow. (USBA strongly encourages the use of a rifle cover at all times other than in competition.) Competitors not abiding by the rule during competitions will be reported to the Chief of Competition.

6. On the command "**Cease Fire**", stop shooting and unload your rifle at once.

7. Never handle a rifle on the firing line when someone is down range.

8. When dry firing only point the muzzle in a safe direction.

9. If you see an unsafe act, bring it to the attention of the individual involved and a range official.

10. Store your rifle and ammunition separately out of reach of children.

11. Check the barrel and action of your rifle before using it.

12. No horseplay on the range.

13. Do not leave your rifle unattended in a public area.

14. **USBA Open Bolt Rule** - It is USBA policy for the rifle bolt to be open (bolt handle completely to the rear) once the rifle is removed from its carrying case or taken off the competitor's back. This includes anytime the rifle is left unattended in a rifle rack or lying on the ground or snow. (USBA strongly encourages the use of a rifle cover at all times other than in competition.) Competitors not abiding by the rule during competitions will be reported to the Chief of Competition.

USBA Rifle Safety Rules

Understanding how a rifle functions, it is clear that by following three simple and logical rules, an accident cannot occur.

These rules are:

1. Always point the muzzle in a safe direction.
2. Keep the action open and rifle unloaded until ready to use.
3. Keep your finger off the trigger until ready to shoot.

These rules for safe gun handling apply to all rifles, pistols, and shotguns.

There are additional rules and practices that should be followed by biathlon participants to insure your safety and that of others. They are:

1. Always treat a rifle as if it were loaded until proven otherwise.
2. Keep your rifle bolt open unless the rifle is on your back or you are in position and ready to shoot.
3. Never race with a loaded rifle.
4. Do not take your rifle off before you are at the shooting point.
5. Don't load your rifle until you are in position with the rifle pointed in the direction of the target.

ZERO	Sight setting which produces center hits on the target.
SHOT GROUP	Area on the target where a number of shots hit.
SHOOT CLEAN	Hit all targets - no penalty.
WIND FLAG	Small flags, made of lightweight material, placed between the firing line and target line to help the competitor determine the velocity and direction of the wind.
FORTNER ACTION	Straight pull bolt Anschutz "Fortner" system, a type of rifle action that operates by pulling the bolt lever directly to the rear and pushing it forward, requiring no rotation.

USBA Rifle Safety Rules

Understanding how a rifle functions, it is clear that by following three simple and logical rules, an accident cannot occur.

These rules are:

1. Always point the muzzle in a safe direction.
2. Keep the action open and rifle unloaded until ready to use.
3. Keep your finger off the trigger until ready to shoot.

These rules for safe gun handling apply to all rifles, pistols, and shotguns.

There are additional rules and practices that should be followed by biathlon participants to insure your safety and that of others. They are:

1. Always treat a rifle as if it were loaded until proven otherwise.
2. Keep your rifle bolt open unless the rifle is on your back or you are in position and ready to shoot.
3. Never race with a loaded rifle.
4. Do not take your rifle off before you are at the shooting point.
5. Don't load your rifle until you are in position with the rifle pointed in the direction of the target.

ZERO	Sight setting which produces center hits on the target.
SHOT GROUP	Area on the target where a number of shots hit.
SHOOT CLEAN	Hit all targets - no penalty.
WIND FLAG	Small flags, made of lightweight material, placed between the firing line and target line to help the competitor determine the velocity and direction of the wind.
FORTNER ACTION	Straight pull bolt Anschutz "Fortner" system, a type of rifle action that operates by pulling the bolt lever directly to the rear and pushing it forward, requiring no rotation.